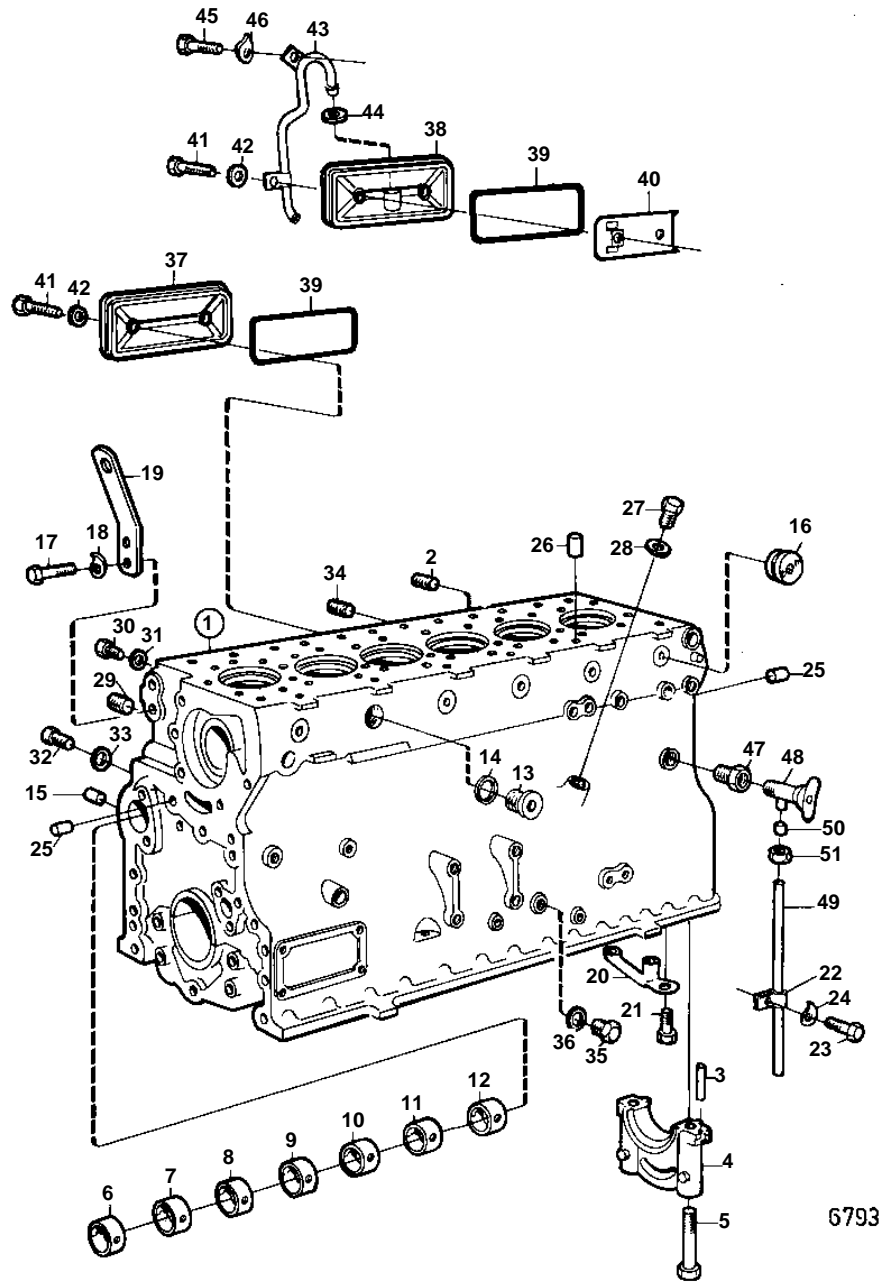


TID121FP,TID121FG



6793

TID121FP,TID121FG

REF	PART NO.	QTY	DESCRIPTION	NOTES
1	470130	1	Cylinder block	SPARE PART VERSION
2	952075	2	· Plug	
3	422426	1	· Pin	
4		7	· BEARING CAP	
5	423444	14	· Screw	
6	422076	1	· Bushing	
7	422077	1	· Bushing	
8	422078	1	· Bushing	
9	422079	1	· Bushing	
10	422080	1	· Bushing	
11	422081	1	· Bushing	
12	422082	1	· Bushing	
13	467367	5	· Plug	
14	469328	6	· Gasket	
15	422369	7	· Plug	
16	821335	1	· Plug	
17	955562	2	Screw	
18	940280	2	Spring washer	
19		1	LIFTING EYE	
20	468539	6	Oil jet	
21	948587	6	Lock screw	
22	942400	1	Clamp	
23	940133	1	Screw	
24	942336	1	Spring washer	
25	955082	2	Cap plug	D = 12.5 MM
	955083	3	Cap plug	D = 14.5 MM
26	950543	12	Pin	
27	961892	1	Plug	
28	18671	1	Gasket	
29	952077	2	Plug	
30	16318	2	Plug	
31	907132	2	Gasket	
32	948187	1	Plug	
33	18818	1	Gasket	
34	952075	1	Plug	
35	16318	3	Plug	
36	907132	3	Gasket	
37	423120	2	Inspection cover	
	423120	3	Inspection cover	WHEN CRANKHOUSE VENTILATION IS FITTED ON THE CYLINDER HEAD COVER
38	423121	1	Inspection cover	
39	467409	3	Gasket	
40	422542	1	Splash plate	
41	422541	6	Screw	
42	471856	6	Sealing ring	
43	468655	1	Tube	
44	421158	1	Sealing ring	
45	955523	2	Screw	EARLY TYPE.
	942402	2	Flange screw	LATE TYPE.
46	941907	2	Spring washer	EARLY TYPE.
47	190130	1	Nipple	
48	820436	1	Drain cock	
49	821889	1	Tube	
50	954365	1	Fitting	
51	954357	1	Cap nut	